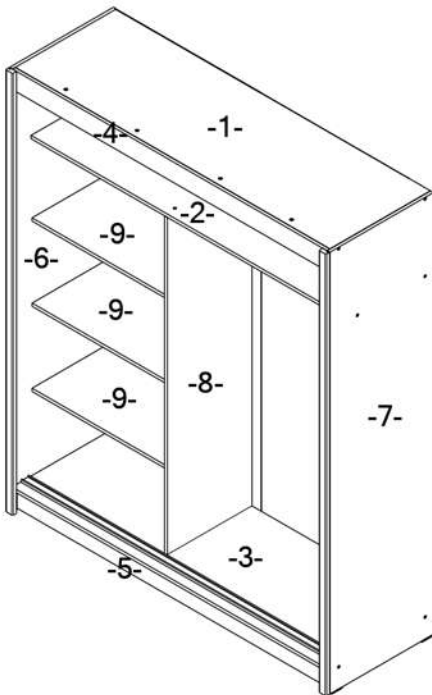
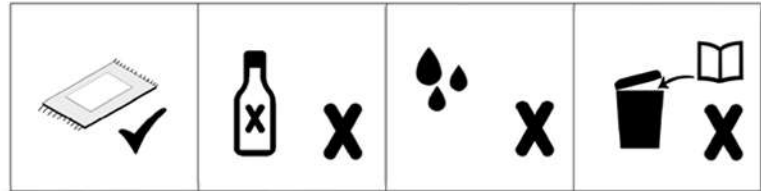
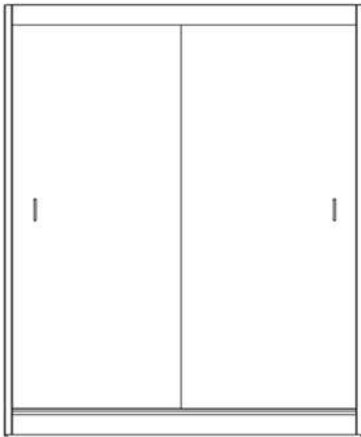
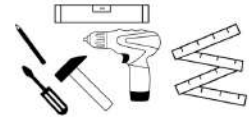
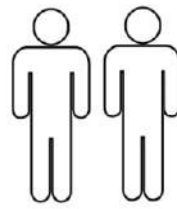
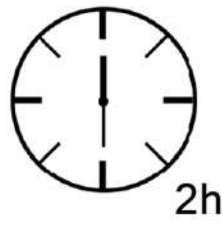




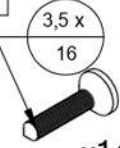

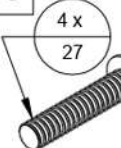



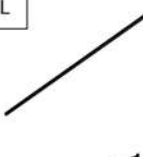











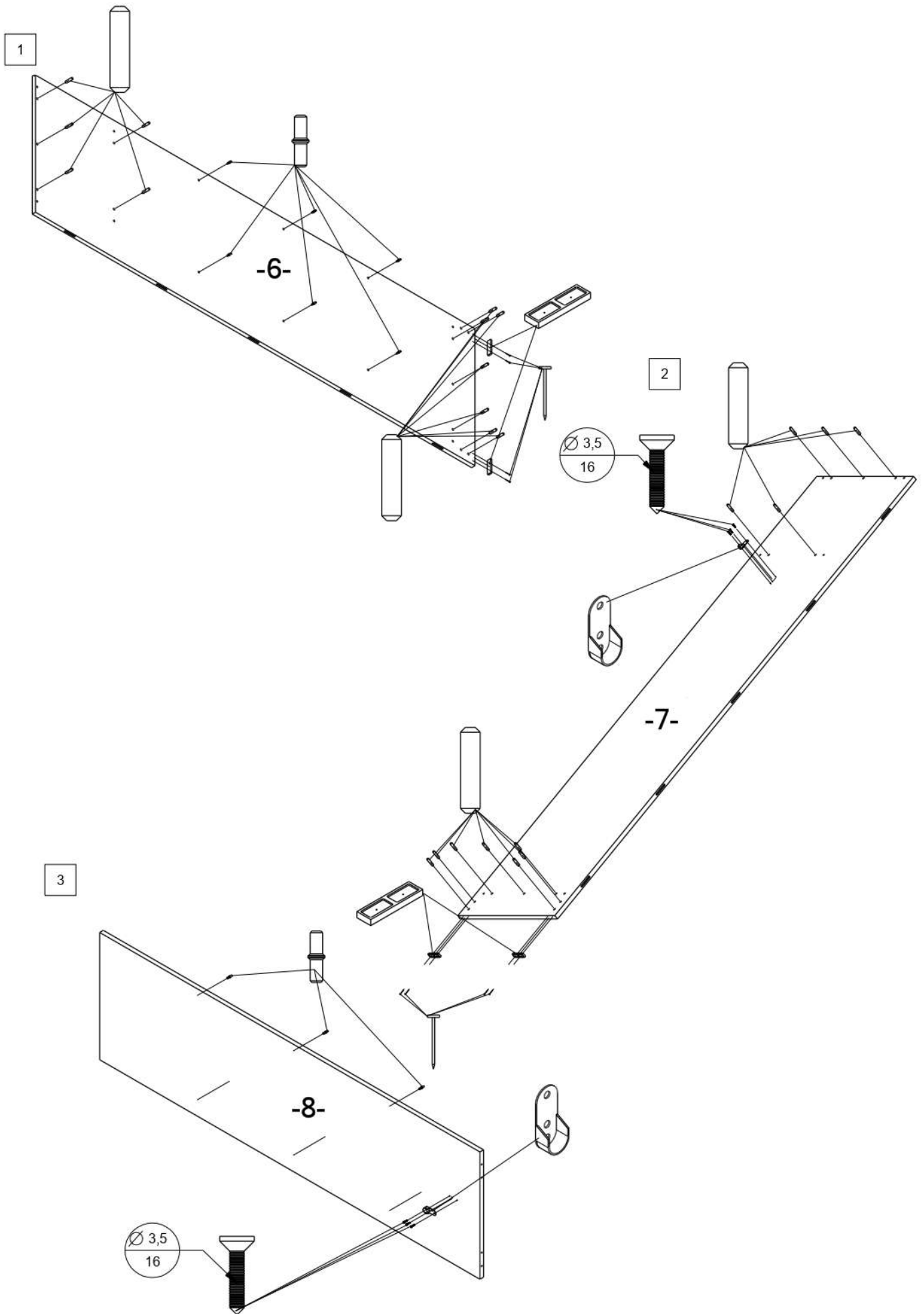
CRAFT

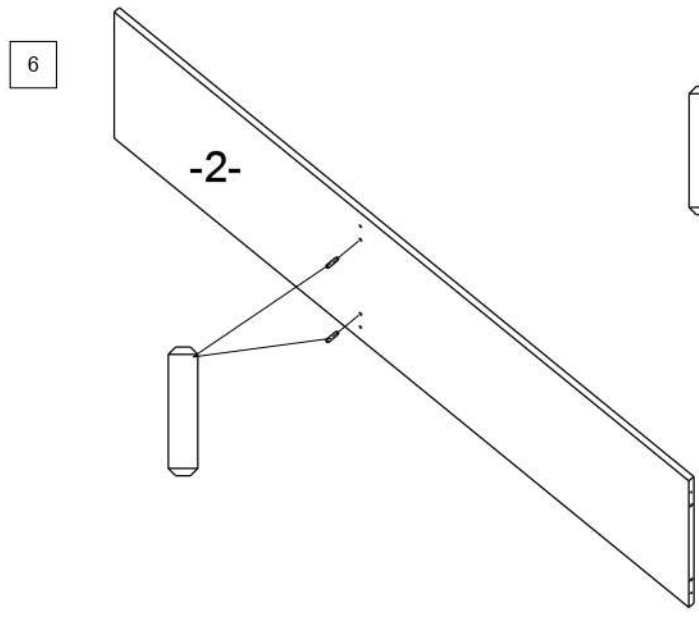
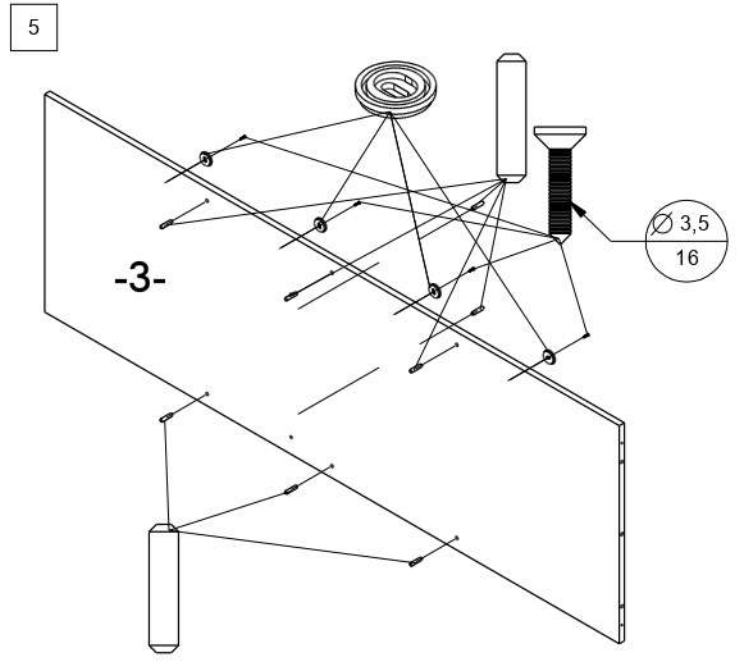
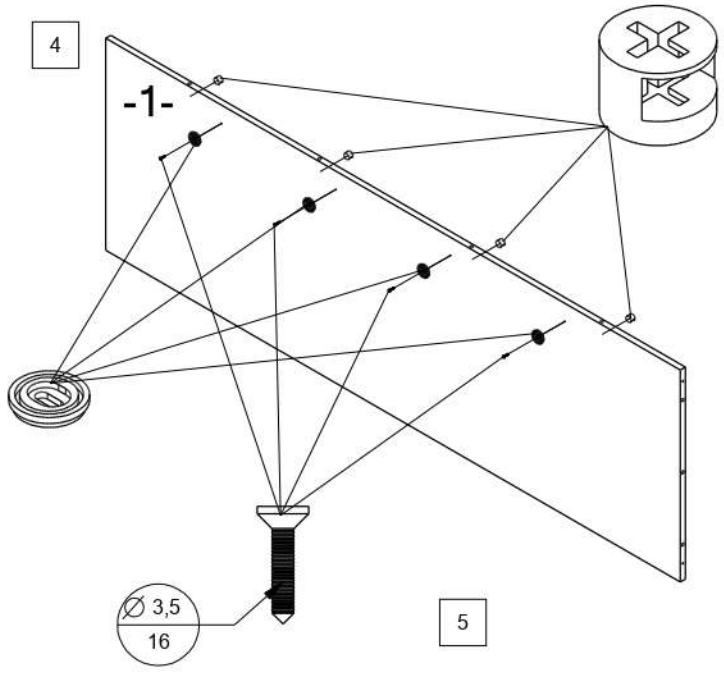
150/203



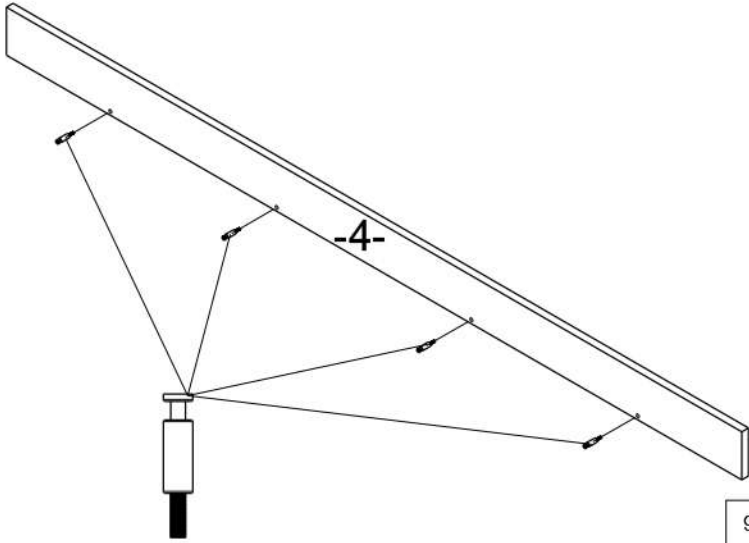
	CRAFT 150	CRAFT 203	
	ROZMER		BALÍK
-1-	1468x565	1968x565	1/3
-2-	1468x476	1968x476	1/3
-3-	1468x581	1968x581	1/3
-4-	1468x70	1968x70	1/3
-5-	2x 1468x100	2x 1968x100	1/3
-6-	2150x585	2150x585	2/3
-7-	2150x585	2150x585	2/3
-8-	1642x476	1642x476	2/3
-9-	3x 600x470	3x 600x470	2/3
-10-	2x 2050x740	2x 2050x1005	3/3
-11-	2x 1990x750	2x 1990x1015	3/3

A  x34	B  x4	C  x4	D  x16	E  3,5 x 16 x14	F  4 x 16 x28	G  4 x 27 x4
H  x12	J  x1	K  x2	L  x1	M  x2	N  x8	P  x4
R  x4	S  x2	T  x8	U  x140	V  x2 x10	W  GLUE	

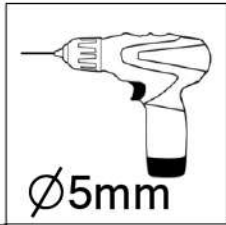
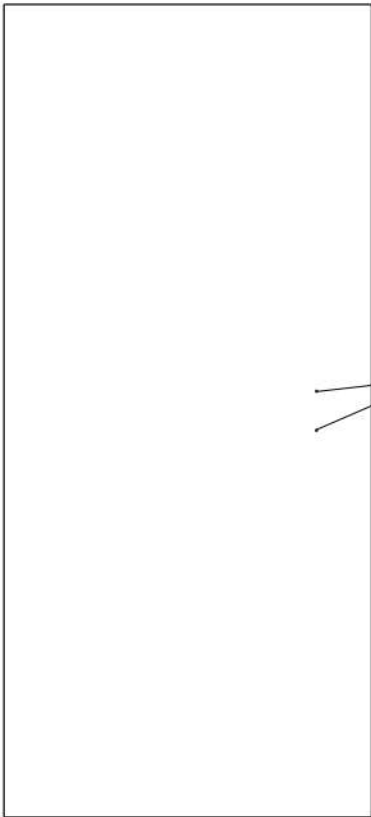
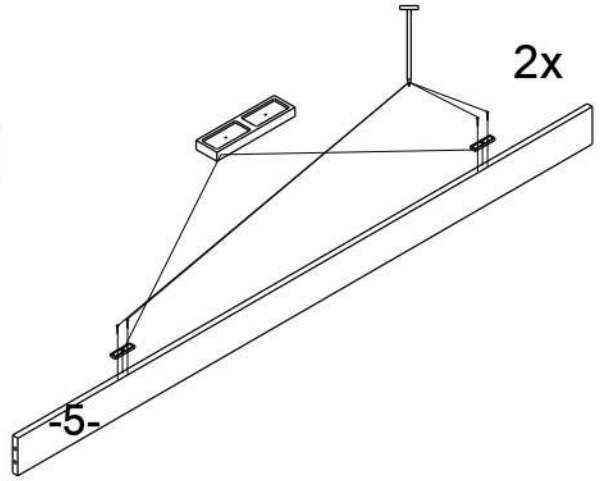




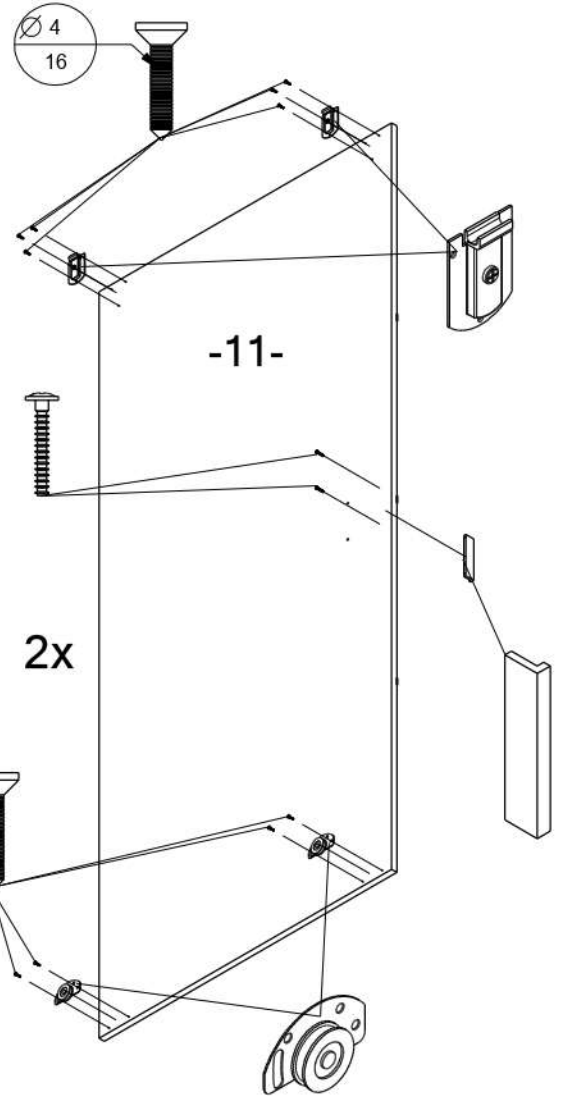
8



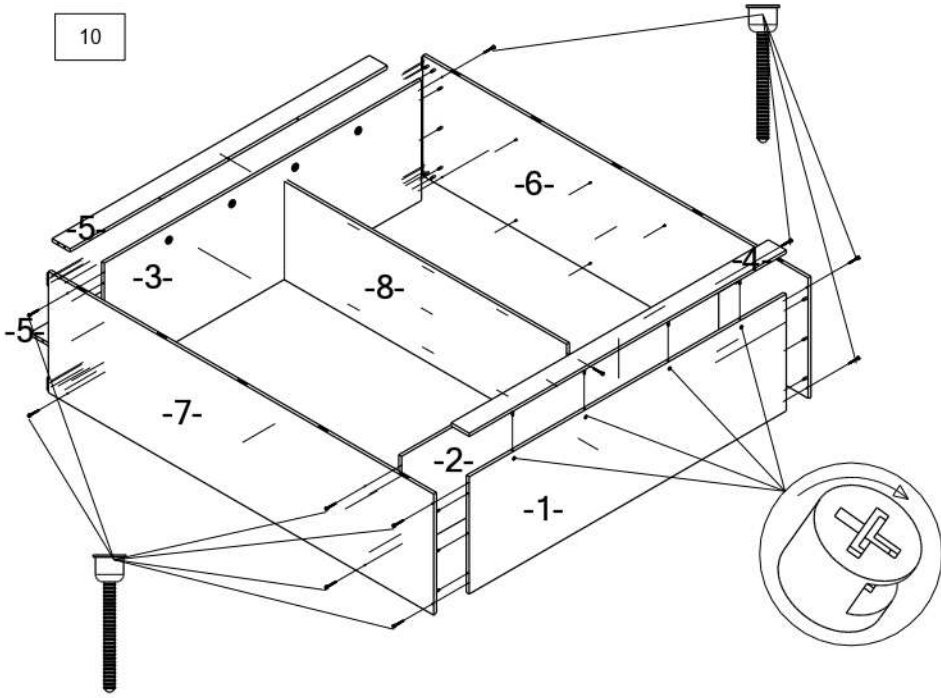
7



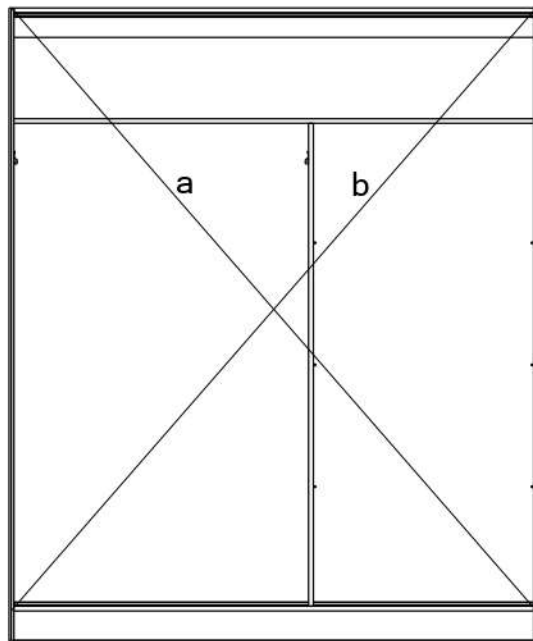
9



10



11



a=b!

